
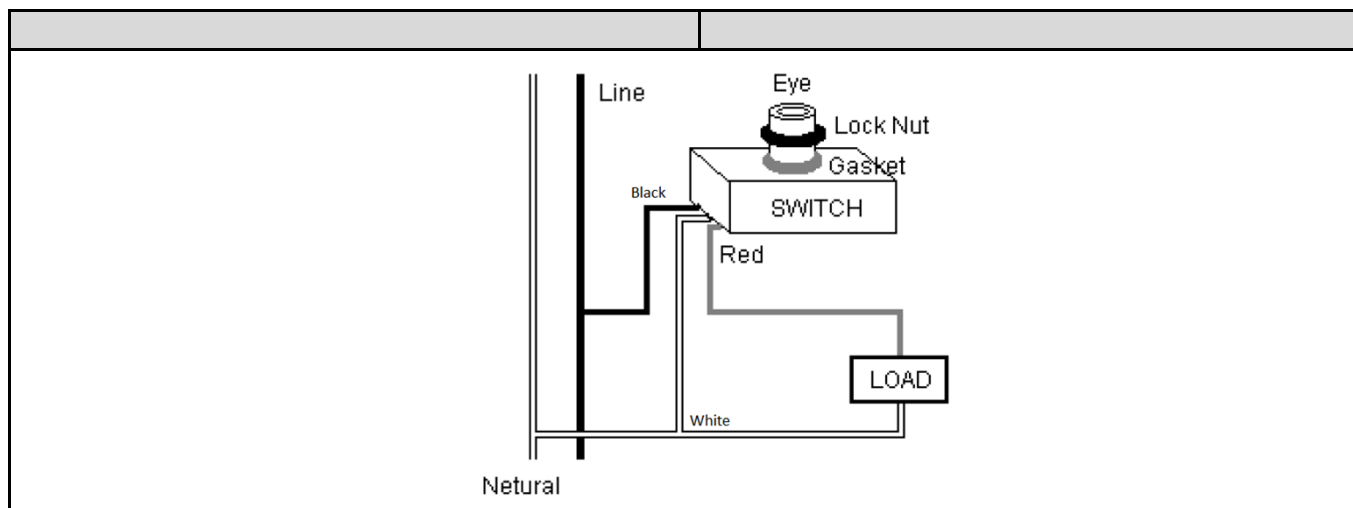


natural^{led}®

Product Engineering Spec

Product Spec			
Category	Photocell Sensor	PICTURE	
Item Code	P10036		
Stock Code	SEN-PHO-BT-MT/MV		
Housing Color	Black		



Technical Data	
Rated Wattage	2W
Input Voltage	120~277Vac
Voltage Frequency	50/60Hz
Rated Loading	500W Tungsten, 850VA Ballast
On/Off Level	10~20Lux---On 30~80Lux---Off
Ambient Temperature	-40°F to 158°F
Related Humidity	0.99
Length (in)	2.15
Width (in)	1.14
Height (in)	1.65
Leads Length (in)	7
Sensor's eye diameter	5/8"
Weight (lbs.)	0.1
Time Delay	3-20 seconds

Comments:

-This product has been listed by UL Inc. and it complies with the Standard for Non-industrial Photoelectric Switches for Lighting Control UL773A, as well as CE and RoHS certified.
 -UL and cUL listed